

**WARNING: READ THE ASSEMBLING INSTRUCTIONS CAREFULLY BEFORE ASSEMBLING THE WALL MOUNTED SPECTATOR SEATING.**

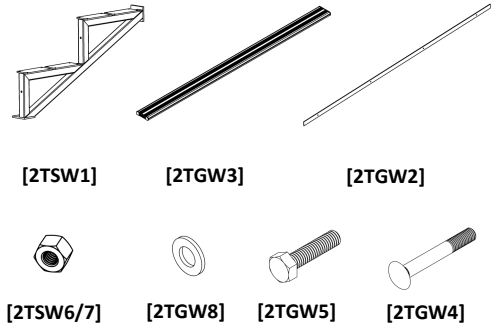


Make sure to wear protective gloves and foot protection when installing and assembling this product. Unpack the unit and make sure all the components are included before proceeding. This activity requires two or more people as lifting is involved. Please ensure bolts are only finger tightened during the assembling process for flexibility in lining up components. Securely tighten the bolts before anchoring the product to the ground.

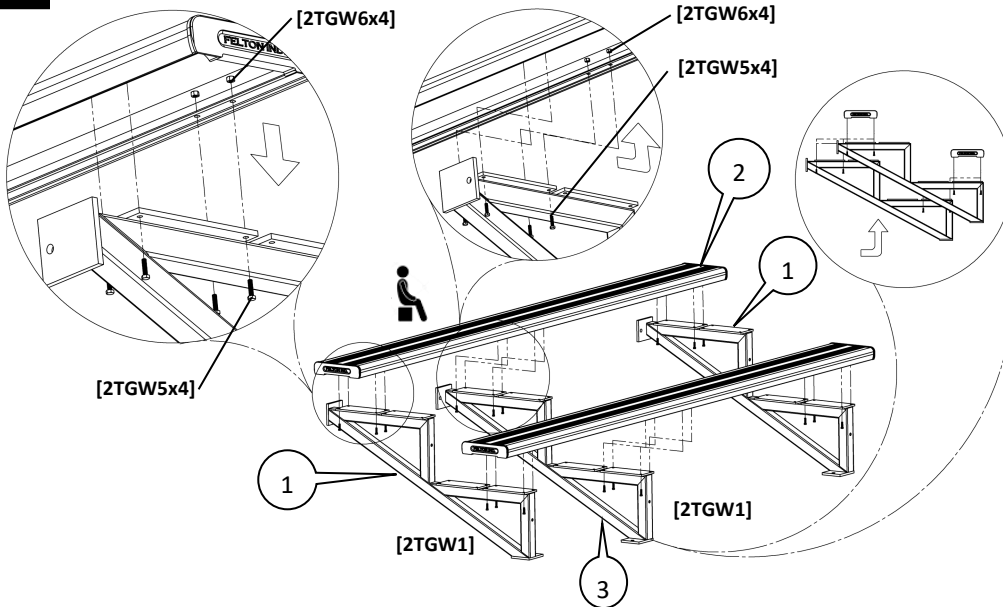


**WALL MOUNTED SPECTATOR SEATING**  
PRODUCT CODE (2TGS8)

PART No.	PART NAME	QTY
2TGW1	MAIN FRAME	3
2TGW2	FLAT BAR	2
2TGW3	3000mm.-SEATING PLANK	4
2TGW4	M10x35mm. CUP HEAD BOLT	6
2TGW5	M6x25 mm. HEX. HEAD BOLT	48
2TGW6	M6 LOCKNUT	48
2TGW7	M10 LOCKNUT	6
2TGW8	M10 PLAIN WASHER	6

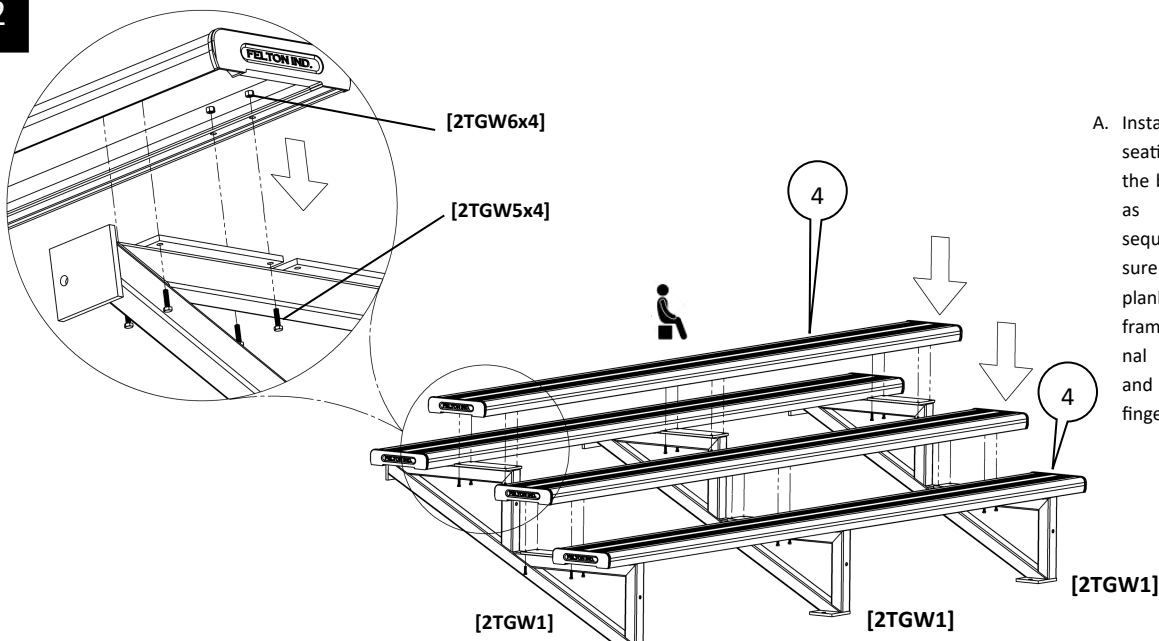


1



- A. Have two external frames [2TGW1] in place (STEP 1), with lugs facing inwards and secure them to the back and front seating planks [2TGW3] (STEP2), by using hexagonal head bolts [2TGW5] and locknuts [2TGW76] -finger tighten .
- B. Install the two central frames [2TGW1] (STEP 3), and secure them to the seating planks [2TGW3], with hexagonal head bolts [2TGW5] and locknuts [2TGW6] - finger tighten.

2



- A. Install the rest of the seating planks [2TGW3] on the back, front and centre as per the illustrated sequence (STEP 4). Make sure to secure the seating planks [2TGW3] to the frames, by using hexagonal head bolts [2TGW5] and locknuts [2TGW6] - finger tighten.

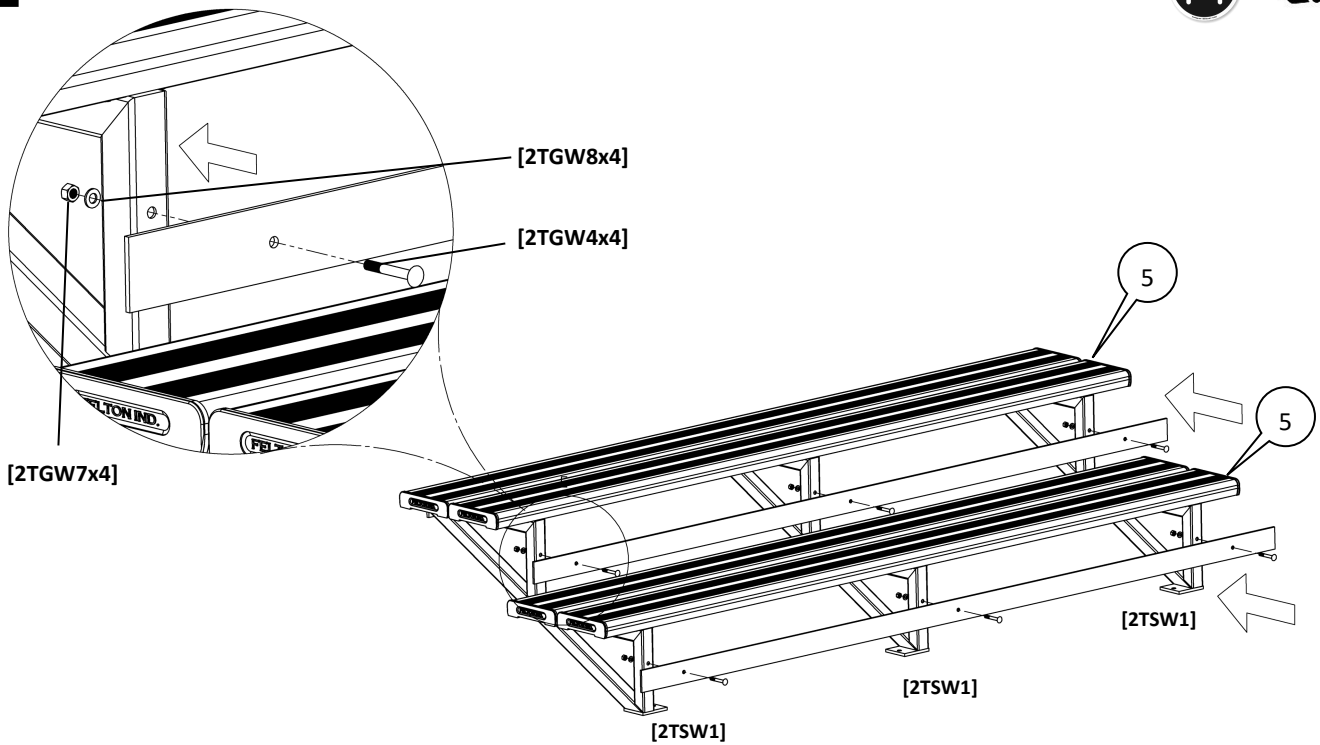
**WARNING: READ THE ASSEMBLING INSTRUCTIONS CAREFULLY BEFORE ASSEMBLING THE WALL MOUNTED SPECTATOR SEATING.**



Make sure to wear protective gloves and foot protection when installing and assembling this product. Unpack the unit and make sure all the components are included before proceeding. This activity requires two or more people as lifting is involved. Please ensure bolts are only finger tightened during the assembling process for flexibility in lining up components. Securely tighten the bolts before anchoring the product to the ground.

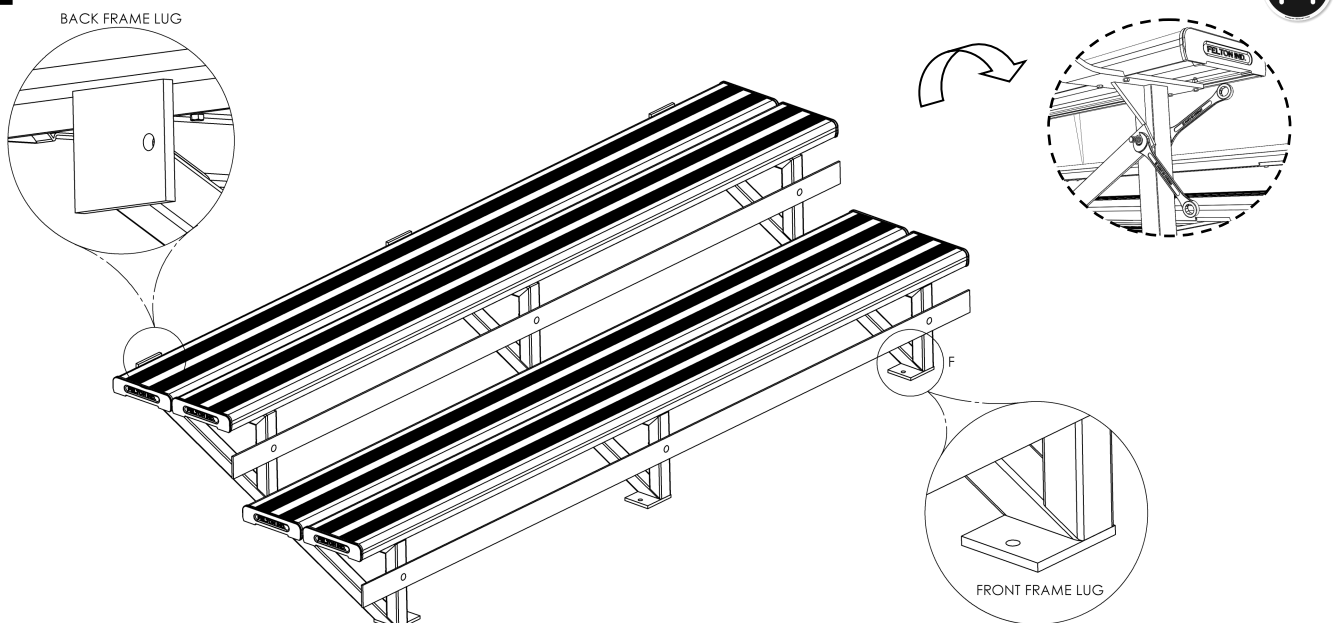


3



A. Have the flat bars [2TGW2] in place and secure it to the frames [2TGW1], by using cup head bolts [2TGW4], locknuts [2TGW7] and washers [2TGW8] - finger tighten (STEP 5).

4



A. Tight the whole fasteners with a spanner and/or an appropriate tool. Adjust the whole unit as necessary.  
B. Fix the spectator seating to the ground and the wall, by installing dyna-bolts on both, back and front frame lugs.